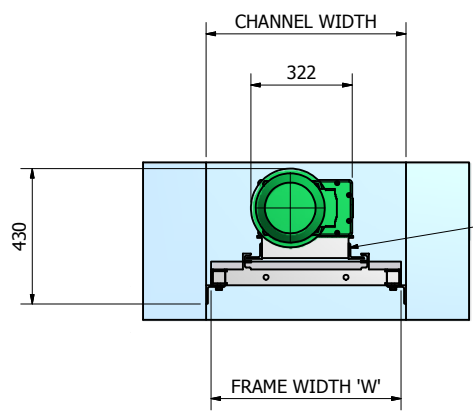
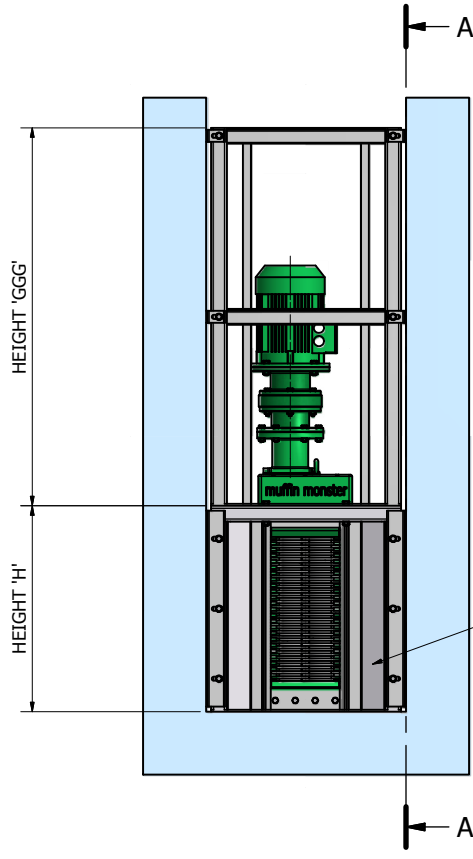


REVISION HISTORY			
REV	DESCRIPTION	DATE	BY
1	ORIGINAL	05/02/2010	DB

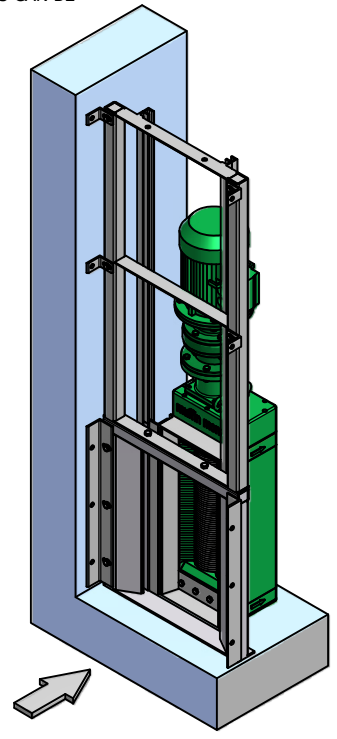
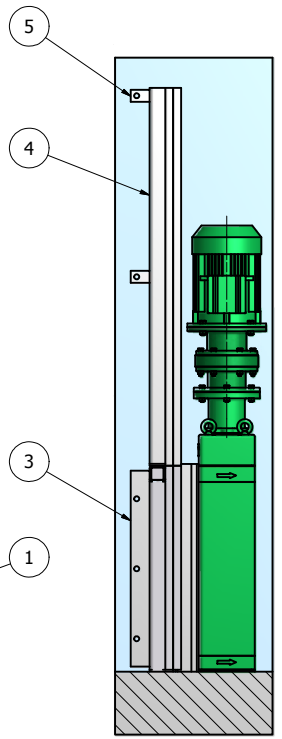


- NOTES UNLESS OTHERWISE SPECIFIED:
1. ANCHOR BOLTS, M12 x 100, ARE PROVIDED BY OTHERS.
 2. THE CONTRACTOR SHOULD GROUT AND SEALGAPS BETWEEN THE FRAME AND WALL TO PREVENT ANY LARGE PARTICLES FROM PASSING.
 3. ALL DIMENSIONS NEED TO BE CONFIRMED TO ENSURE PROPER FIT.
 4. THE CHANNEL WIDTH SHOULD EXCEED THE FRAME WIDTH BY 6mm. SEE 'WIDTH TABLE' FOR MORE DETAILS.
 5. MAX. SINGLE GUIDE RAIL LENGTH IS 2000mm
MIN. SINGLE GUIDE RAIL LENGTH IS 300mm
FOR HEIGHTS GREATER THAN 2000mm MULTIPLE RAILS CAN BE ASSEMBLED TOGETHER.

FRAME HEIGHT TABLE		
MODEL	PART NUMBER	HEIGHT (H)
30005-0008	32532-YY08-ZZ	400
30005-0012	32532-YY12-ZZ	502
30005-0018	32532-YY18-ZZ	654
30005-0024	32532-YY24-ZZ	806
30005-0032	32532-YY32-ZZ	1010
30005-0040	32532-YY40-ZZ	1213



SECTION A-A



FRAME WIDTH TABLE		
CHANNEL WIDTH	PART NUMBER	FRAME WIDTH (W)
406 to 454	32532-16XX-ZZ	400
457 to 505	32532-18XX-ZZ	451
508 to 556	32532-20XX-ZZ	502
559 to 606	32532-22XX-ZZ	552
610 to 657	32532-24XX-ZZ	603
660 to 708	32532-26XX-ZZ	654
711 to 759	32532-28XX-ZZ	705
762 to 810	32532-30XX-ZZ	756
813 to 860	32532-32XX-ZZ	806
864 to 911	32532-34XX-ZZ	857
914 to 962	32532-36XX-ZZ	908
965 to 1013	32532-38XX-ZZ	959
1016 to 1064	32532-40XX-ZZ	1010
1067 to 1114	32532-42XX-ZZ	1060
1118 to 1165	32532-44XX-ZZ	1111
1168 to 1216	32532-46XX-ZZ	1162
1219 to 1267	32532-48XX-ZZ	1213
1270 to 1318	32532-50XX-ZZ	1264
1321 to 1368	32532-52XX-ZZ	1314
1372 to 1419	32532-54XX-ZZ	1365
1422 to 1470	32532-56XX-ZZ	1416
1473 to 1521	32532-58XX-ZZ	1467

- XX - GRINDER MODEL DESIGNATION
- YY - CHANNEL WIDTH DESIGNATION
- ZZ - MATERIAL
- GGG - GUIDE RAIL HEIGHT

EXAMPLE: 32532-2418-2500-SS INDICATES:
 32532 - FRAME ASSEMBLY
 24 - 'YY' CHANNEL WIDTH 610 to 657mm
 18 - 'XX' MODEL 30005-0018
 2500 - 'GGG' GUIDE RAIL HEIGHT
 SS - 'ZZ' MATERIAL 304 STAINLESS STEEL

PARTS LIST			
ITEM	QUANTITY	DESCRIPTION	DESCRIPTION
1	1	32599-YYXX-ZZ	FRAME ASSEMBLY
2	1	32523-01XX-ZZ	GUIDE PLATE
3	2	32599-00XX-BRACKET	FRAME MOUNTING BRACKET
4	METRES	32532-GGG-ZZ	GUIDE RAIL
5	AS REQUIRED	32532-BRACKET	GUIDE RAIL MOUNTING BRACKET

UNCONTROLLED COPY

ALL DIMENSIONS IN MILLIMETRES

DO NOT SCALE DRAWING	UNLESS OTHERWISE SPECIFIED DIMENSIONS ARE IN INCHES TOLERANCES ARE: FRACTIONS 1/16" 1/8" 1/4" 3/8" 1/2" 5/8" 3/4" 1" ANGLES 1/2° 1° 5'	DRAWN BY: dennisb	DATE: 05/02/2010	CHECKED:	APPROVED BY: davidn	APPROVED DATE:
<small>THIS DRAWING AND DATA ARE FULLY PROTECTED BY COPYRIGHT OWNED BY JWC ENVIRONMENTAL. THIS DRAWING AND DATA EMBODY PROPRIETARY INFORMATION AND ARE THE CONFIDENTIAL PROPERTY OF JWC ENVIRONMENTAL. NO PART SHALL BE COPIED, REPRODUCED, DISCLOSED TO OTHERS, OR USED IN WHOLE OR IN PART FOR ANY PURPOSE WITHOUT THE EXPRESS WRITTEN PERMISSION OF JWC.E. THIS DRAWING IS LOANED IN CONFIDENCE WITH THE UNDERSTANDING IT SHALL BE RETURNED ON DEMAND.</small>				DESCRIPTION: FRAME/GUIDE RAIL INSTALLATION MUFFIN MONSTER 30005 CHANNEL WIDTHS 406 to 1521 DRAWING No: 32532 - CD		
MATERIAL:		FINISH:		ISSUE: 1	SHEET: 1 / 1	
JWC International, Unit 15, Daneside Business Park, River Dane Road, Congleton, Cheshire. CW12 1UN. UK						